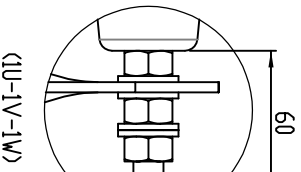
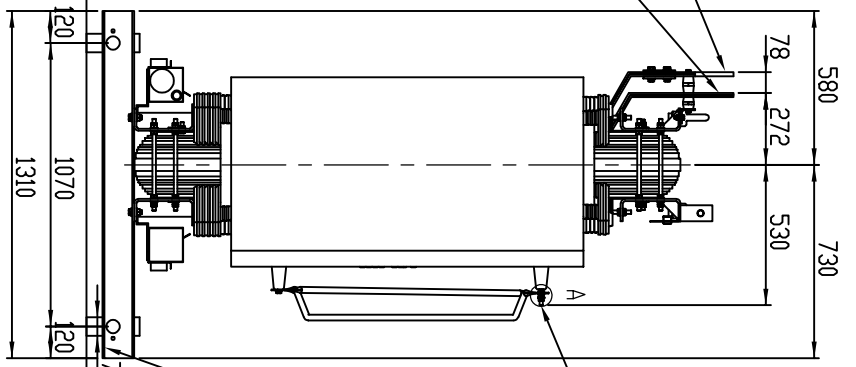


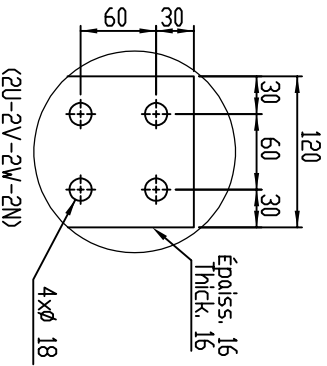
Détail A / Detail A  
BORNES HT / HV TERMINALS



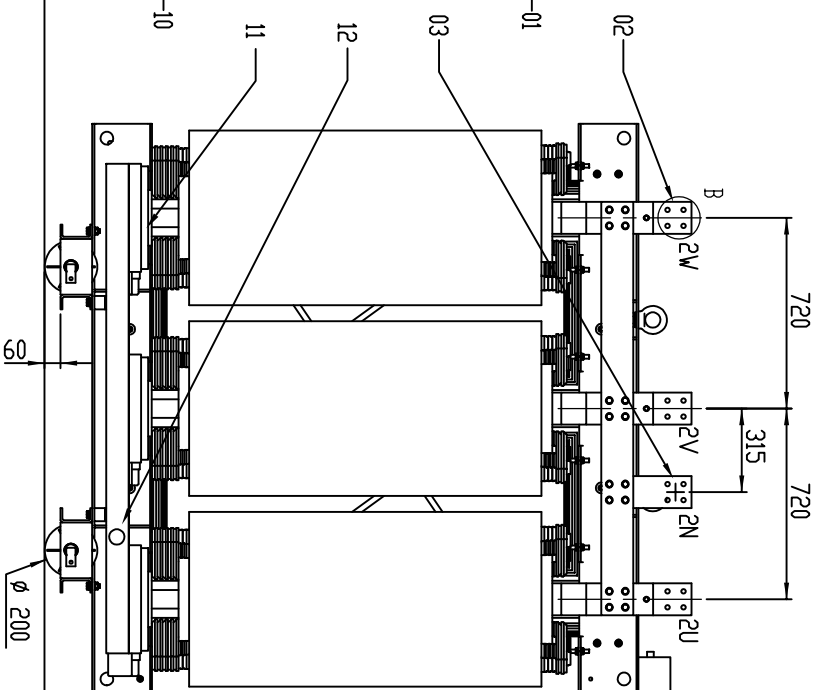
(1U-1V-1W)



Détail B / Detail B  
BORNES BT / LV TERMINALS



(2U-2V-2W-2N)



ITEM	DESCRIPTION	
01	BORNES HT LAITON / HV TERMINALS BRASS	(1U-1V-1W)
02	BORNES BT ALUMINIUM / LV TERMINALS ALUMINIUM	(2U-2V-2W)
03	BORNE DE NEUTRE / NEUTRAL TERMINAL POINT	(2N)
04	PLAQUE CARACTERISTIQUE / RATING PLATE	
05	BOITE AUXILIAIRES/ AUXILIARY CIRCUIT BOX	
06	ANNEAUX DE LEVAGE / LIFTING EYES	
07	BORNIER DE COMMUTATION / DEF-CIRCUIT VOLTAGE REGULATION	
08	ROUES ORIENTABLES / BI-DIRECTIONAL WHEELS	
09	BORNE DE TERRE / EARTHING TERMINALS	
10	TROUS POUR TRACTION / PULLING HOLES	
11	VENTILATEURS / COOLING FANS	
12	BOITE AUXILIAIRES POUR VENTILATEURS / AUXILIARY CIRCUIT BOX FANS	

MASSE / MASS IP00 : 5500 kg

Massa in kg Mn in mm	Scale 1/19
03	
02	
01	
00	Revision/ Issue
	Modification
	Date
	Des. / Drawn/Contr. / Checked
	Fantozzi
	Reproduzione vietata. Tutti i diritti sono riservati/ All rights reserved.



© Bickano SpA  
Viale Luigi Barbi, 231  
21100 Varese (VA) - Italy  
Tel. +39 0332 279111  
Fax +39 0332 279266

Type de Dessin / Drawing Type  
ENCOMBREMENT  
OUTLINE DIMENSIONS

Client Customer	Code	ZNSN08100102312
Puissance Rating	QVA/ Freq	2000 50 GHz
Tension Voltages	(V)/ Group	33000 ± 2 x 1500V / 400

Name/ Dessin / Drawing file/ Sheet	1
IN1109100	1
GENERAL TOLERANCES + / - 20mm	