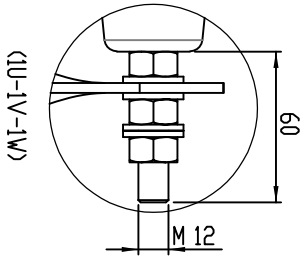
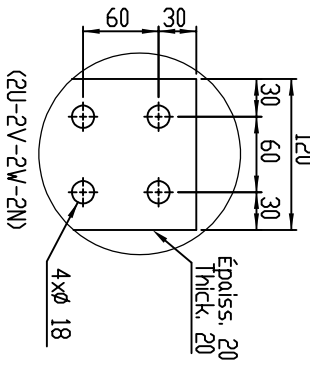


Détail A / Detail A
BORNES HT / HV TERMINALS



Détail B / Detail B
BORNES BT / LV TERMINALS



ITEM	DESCRIPTION
01	BORNES HT LATION / HV TERMINALS BRASS (QU-1V-1W)
02	BORNES BT ALUMINIUM / LV TERMINALS ALUMINIUM (QU-2V-2W)
03	BORNE DE NEUTRE / NEUTRAL TERMINAL POINT (2N)
04	PLAQUE CARACTERISTIQUE / RATING PLATE
05	BOITE AUXILIAIRES/ AUXILIARY CIRCUIT BOX
06	ANNEAUX DE LEVAGE / LIFTING EYES
07	BORNIER DE COMMUTATION / DEF-CIRCUIT VOLTAGE REGULATION
08	ROUES ORIENTABLES / BI-DIRECTIONAL WHEELS
09	BORNE DE TERRE / EARTHING TERMINALS
10	TROUS POUR TRACTION / PULLING HOLES
11	VENTILATEURS / COOLING FANS
12	BOITE AUXILIAIRES POUR VENTILATEURS / AUXILIARY CIRCUIT BOX FANS

MASSE / MASS IP00 : 6350 kg

		Scale 1/19 Mass in kg 43 Mass in mm 119	
03	01	06/09/2019	Fantozzi
02	00	06/09/2019	Fantozzi
01	00	06/09/2019	Fantozzi
00	00	06/09/2019	Fantozzi
Reproduzione vietata. Tutti i diritti sono riservati/ All rights reserved.		Date / Drawn/Contr. / Checked	
		Type de Dessin / Drawing Type ENCOMBREMENT OUTLINE DIMENSIONS	
Client / Customer Puissance Rating Tension Voltages		Code ZDSNB0100102313 Qty/Avl 2500 50 400	
Name Dessin / Drawing feuille/Sheet IN1109300		Groupage Dyn11	
GENERAL TOLERANCES + / - 20mm			